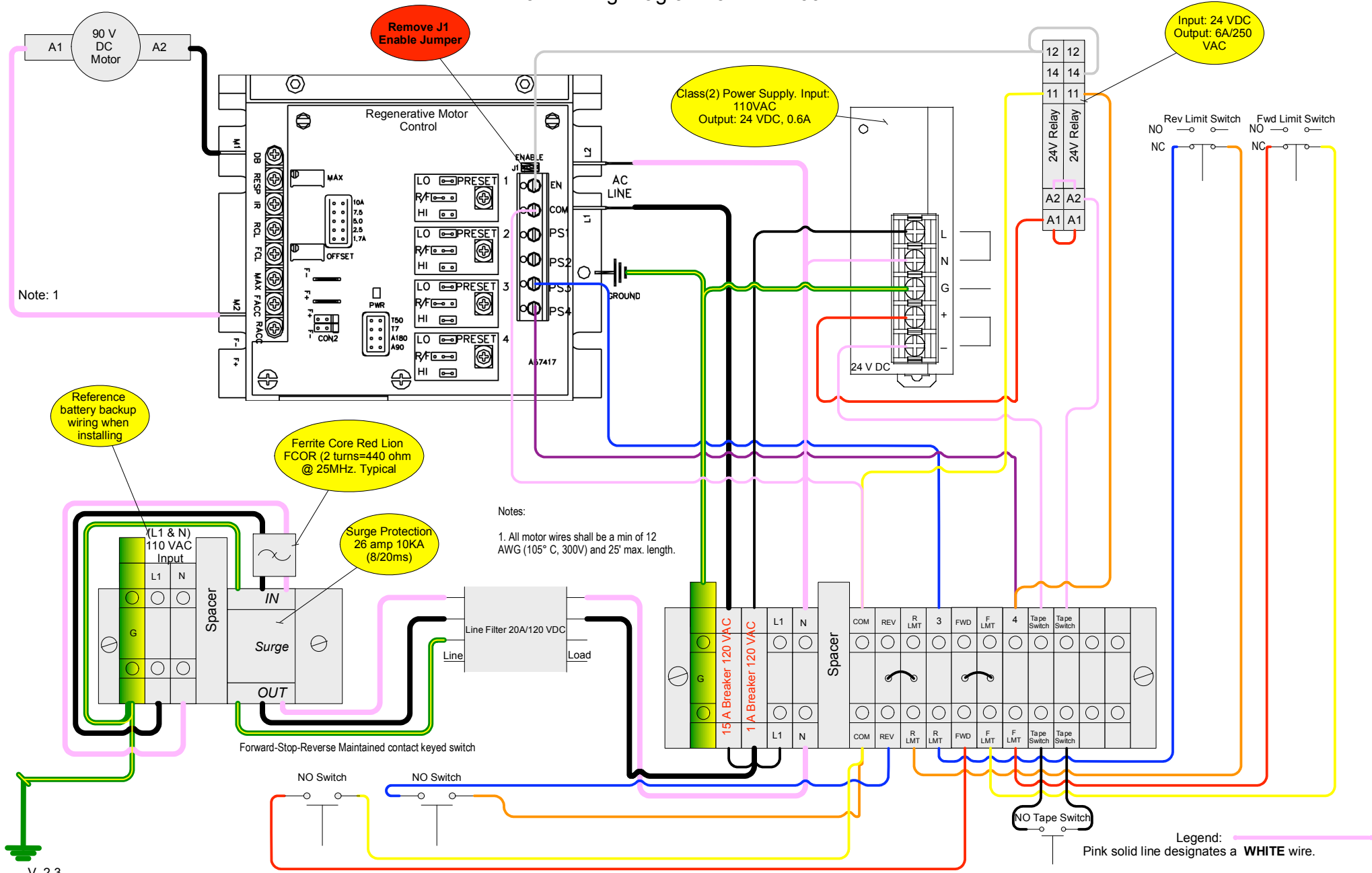
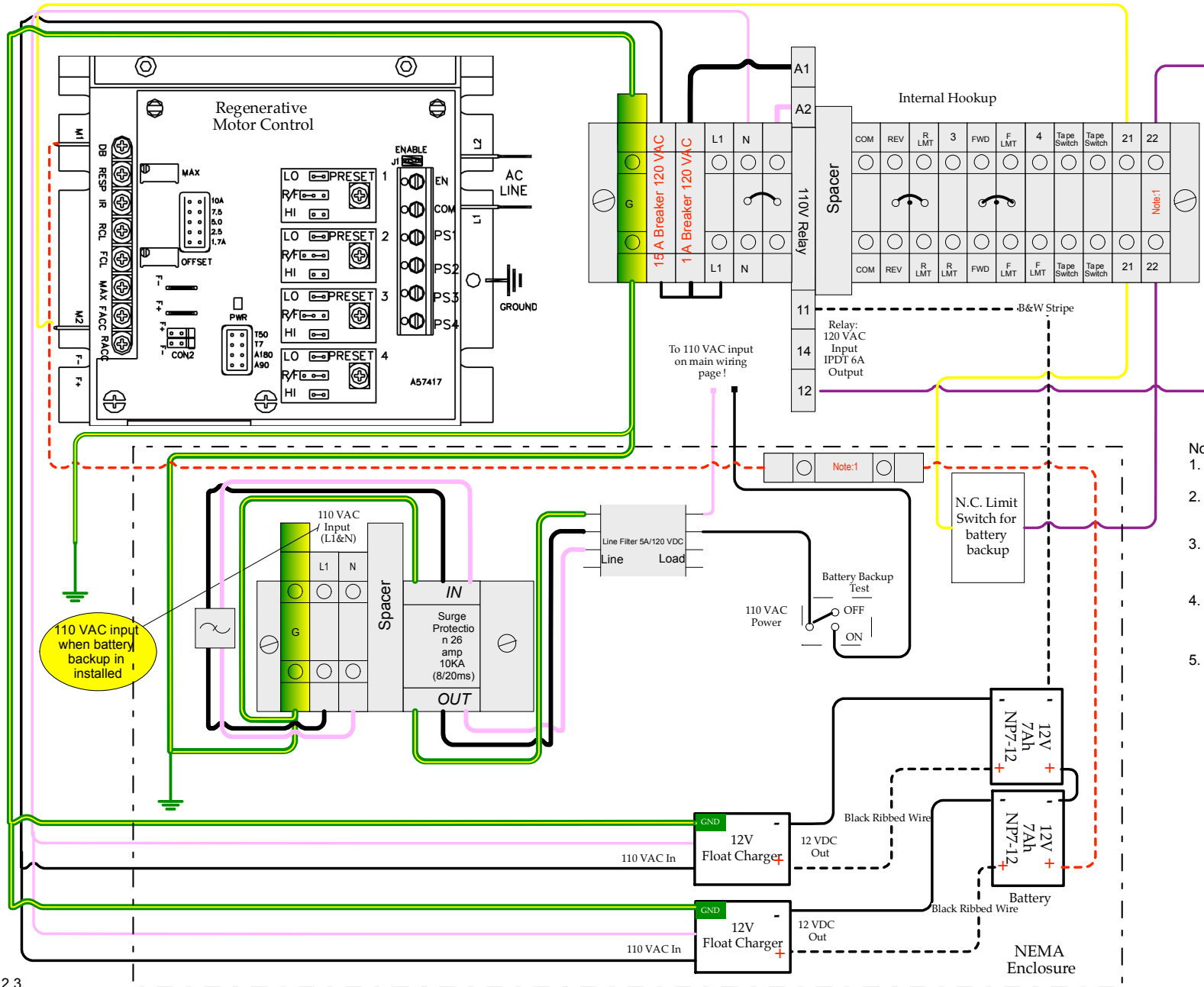


Main Wiring Diagram for NB-4100



Battery Backup Wiring⁶ Diagram for NB-4100



- Notes:
1. Use 10 Amp / 110 VAC Circuit Breaker
 2. Class(2) 24 VDC Terminals: Power Supply: (Com & 3). Inputs: 9-14 & 19-22
 3. All 110 AC wires shall be minimum 14 AWG & (105 deg. C, 300 V)
 4. All 12-24 VDC (non-motor) wires shall be minimum 20 AWG & (105 deg. C, 300 V)
 5. When using receptacle style chargers, use GFC-I type.
 6. Provides auto-open during power loss.

Designates WHITE Wire